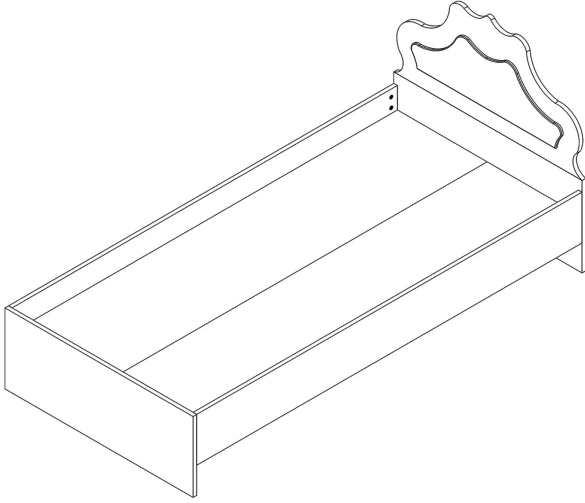
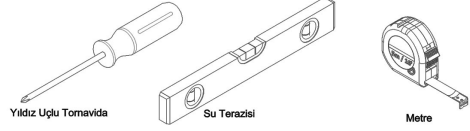


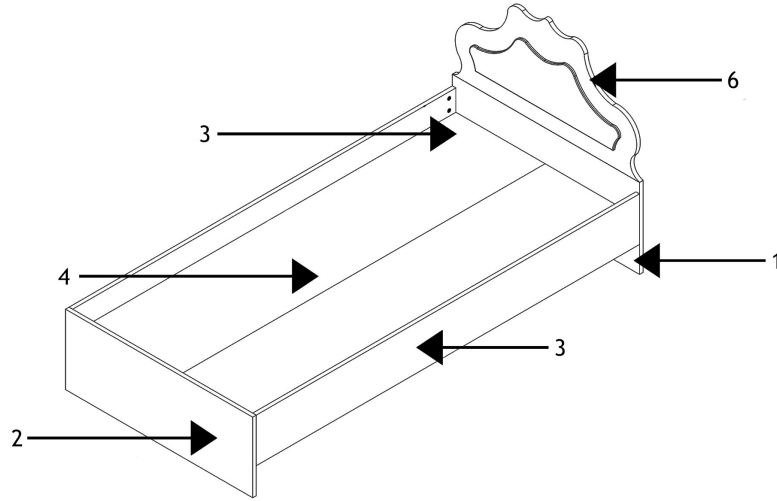
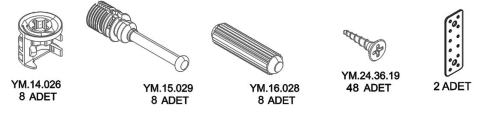
# Standard Model Bedstead



## MATERIAL REQUIRED FOR INSTALLATION

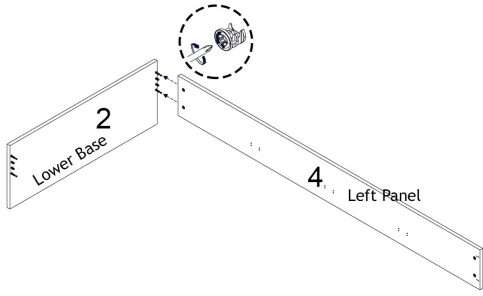


## ACCESSORIES LIST

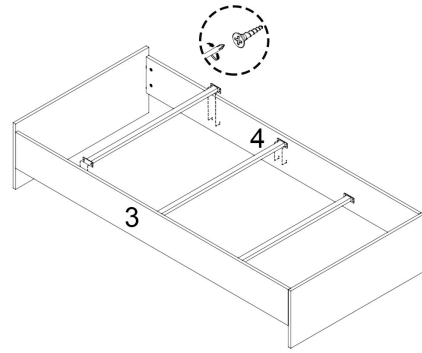


PART NUMBER	PART NAME	NUMBER OF PIECES
1	Upper Base	1
2	Lower Base	1
3	Right Panel	1
4	Left Panel	1
5	Bed Base (Raw Chipboard)	2
6	Bed Headboard	1

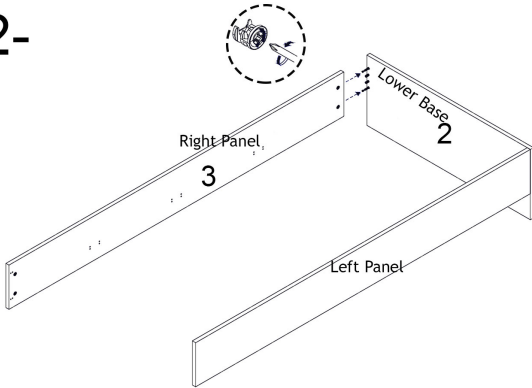
1-



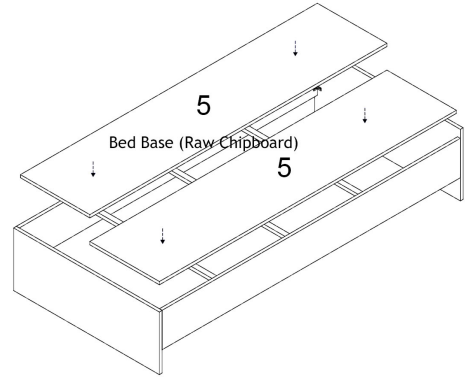
5-



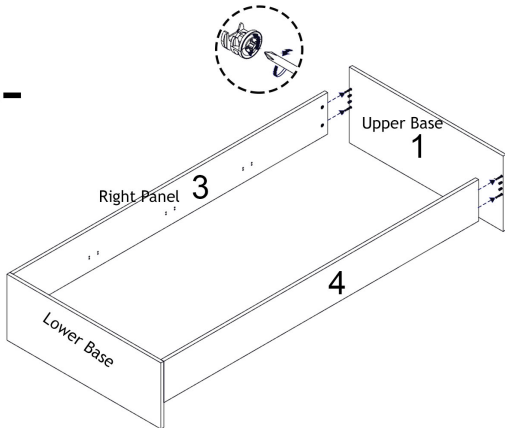
2-



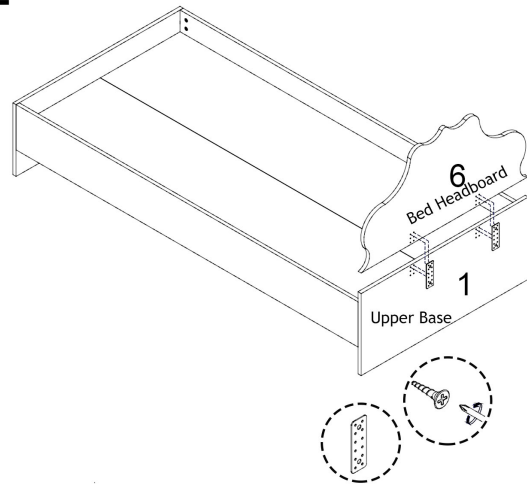
6-



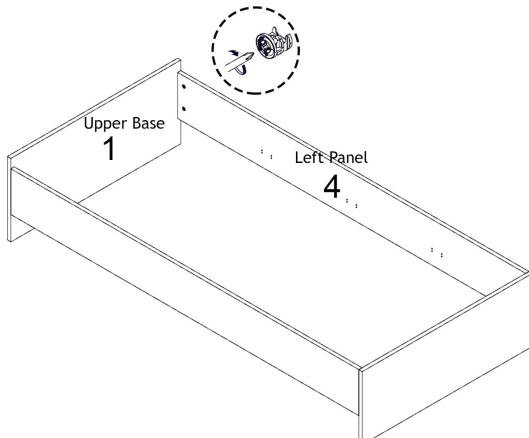
3-



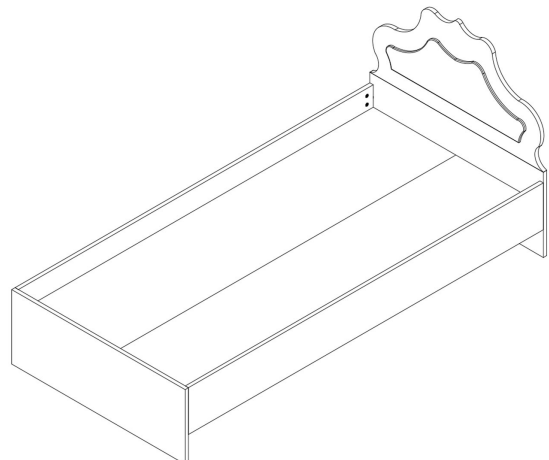
7-



4-



8-



You have completed the product installation.